

Special Edge Lifting Systems

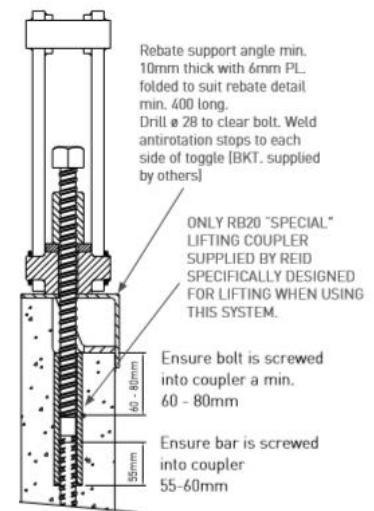
This publication is to provide clarity to customers in relation to the support of special edge lifting methods as mentioned in our 2011 publication of Reid Concrete Lifting Systems Design Guide (and any other reference to the use of Reid bar componentry being used as a lifting system).

Q: Is the “Special Edge Lifting With Rebated Edges” supported?

A: No, this lifting method (3.3 of the Reid Concrete Lifting Systems Design Guide 2011; refer image below) is no longer supported. Reid engineering will no longer be nominating this system in lifting certificates.

3.3 SPECIAL EDGE LIFTING WITH REBATED EDGES

External wall panels on multi storey buildings often have a waterproofing detail on the top edge which makes conventional lifting anchor placement difficult. A special 5 tonne lifting system for tension loads only (not shear loads) has been developed utilizing Reid’s Reidbar System. See Detail 3.3.1.



DETAIL 3.3.1 Edge Lifter

Q: Is there an alternative lifting method?

A: There are many alternative methods which can be employed. A direct comparable, where only tensile loads are to be applied, an eye anchor is one example of a possible solution. Should you require further assistance, please contact your local Reid representative for further assistance.

Q: Will the Reid Concrete Lifting Systems Design Guide be updated to reflect this change?

A: Yes, Reid will be updating this document.

Q: Are other products ok to be used in a standard Reid Lifting System?

A: No, products which are not explicitly stated as part of a lifting system should not be used as a such. Items such as TIMs or reidbar connections have not been tested according to the methods required for lifting systems to be compliant.

Key Points:

- The use of the “Special Edge Lifting with Rebated Edges” section 3.3 from the Reid Concrete Lifting Systems Design Guide 2011 is no longer supported
- The hire of RB20LLT is no longer supported
- Lifting certifications will not be issued for this system going forward
- An update to Reid Concrete Lifting System Design Guide is forthcoming.

Jeff Pellerin | Product Manager – Precast Lifting ANZ

